



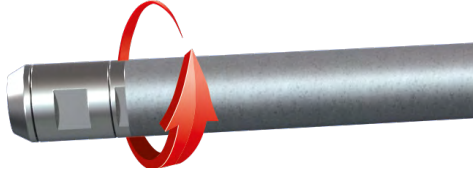




DATA SHEET

DRUM SHAFT

for RUNPOLIFTER 4500 - in lengths 1150 | 1350 | 1600 mm

Item no: **20692** | **20693** | **20694**



<p>Drum shaft 1150 mm</p>  <p>Click here Productinformation</p>  <p>VIDEO RUNPOLIFTER 4500 - SET</p>	<p>Detailed images:</p> 
<p>Drum shaft 1350 mm</p>  <p>Click here Productinformation</p> <p>Click here Video</p>	
<p>Drum shaft 1600 mm</p>  <p>Click here Productinformation</p>	 <p>Application image: Attention: Lifting support and centring cones not included!</p>

DATA			
ITEM NO	20692	20693	20694
LENGTH	1150 mm	1350 mm	1600 mm
DIAMETER	54 mm		
TOTAL WEIGHT	11,00 kg	12,50 kg	14,30 kg
EAN-Code	9120045476484	9120045476491	9120045476507

ADVANTAGES

- ✓ Integrated Heavy duty plain bearing
- ✓ Stainless steel security mouth
- ✓ High strength hollow shaft
- ✓ High weight saving

DESCRIPTION

The included drum shaft features two heavy duty plain bearings that enable the respective drum to be rolled comfortably without any trouble. Due to the high strength hollow shaft, it is very stable and has therefore a very low weight.

OPTIMUM AREA OF APPLICATION: for lifting and then rolling cable drums with a diameter of up to 1600 mm, a wide of max. 1250 mm and a max. weight of 4500 kg (only in combination with RUNPOLIFTER 4500)

Application video: a short, very informative application video can be viewed by scanning the QR code or on www.runpotec.com.

Scope of delivery:

- 1 psc drum shaft 1150 mm or
- 1 psc drum shaft 1350 mm or
- 1 psc drum shaft 1600 mm

INFORMATION

Use with

Lifting support
RUNPOLIFTER 4500

Item no: 10161



[Click here Productinformation](#)

Centring cones

Item no: 10147



[Click here Productinformation](#)